



Revel Environmental Manufacturing Inc.

sales@remfilters.com (888) 526-4736 Lic. No. 857410

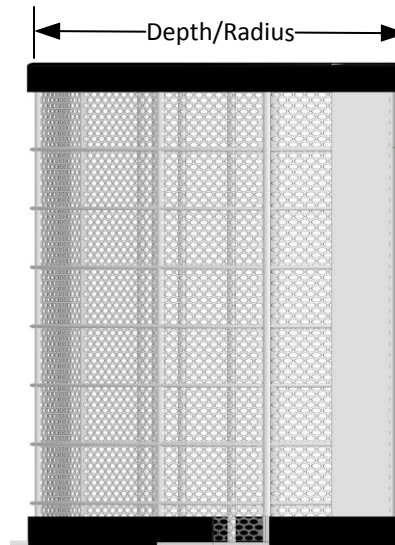
Northern California
960-B Detroit Avenue
Concord, California 94518
P: (925) 676-4736
F: (925) 676-8676

Southern California
2110 South Grand Avenue
Santa Ana, California 92705
P: (714) 557-2676
F: (714) 557-2679

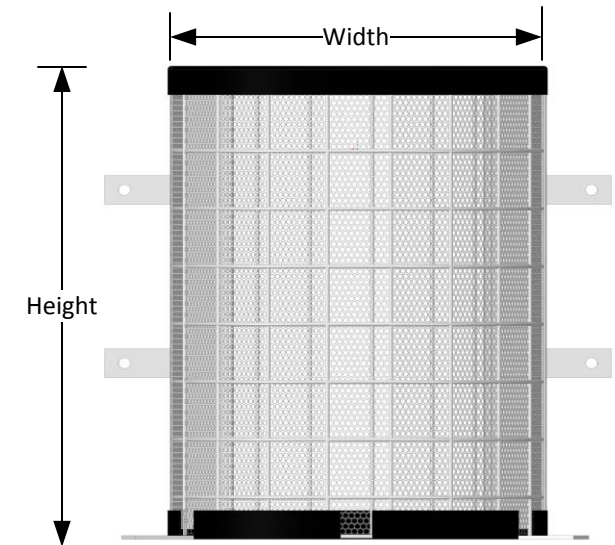
REM TRITON CPS - FTC

Standard size dimensions

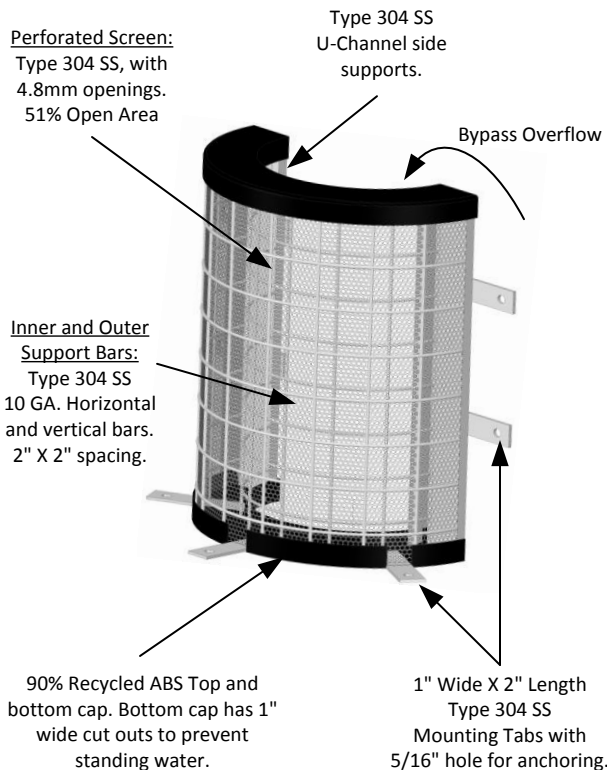
Model:	TR20(12)CPS-FTC	TR24(16)CPS-FTC	TR40(18)CPS-FTC
Width:	20"	24"	40"
Height:	12"	16"	18"
Depth/Radius:	8"	12"	20"
Filtered Flow Rate:	5.56 (CFS)	9.89 (CFS)	18.54 (CFS)
Bypass Radius:	6"	10"	18"
Bypass Flow:	19.24 (CFS)	25.65 (CFS)	42.55 (CFS)



Side View



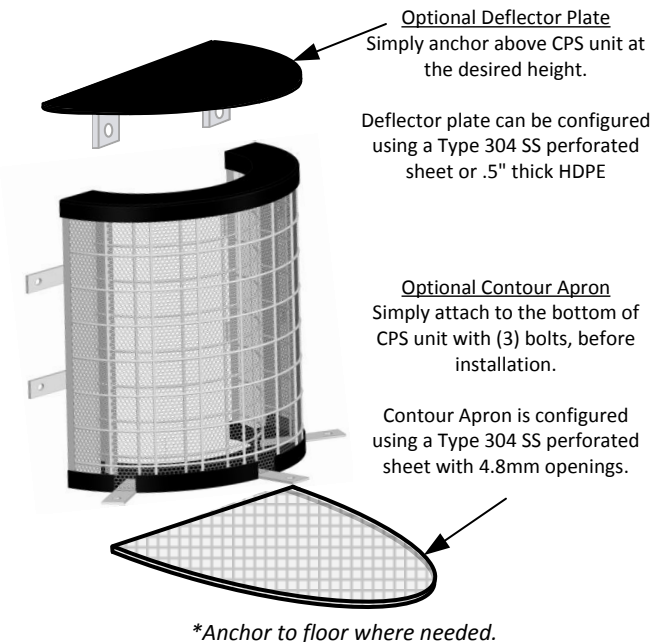
Front View



***APPROVED Full Trash Capture Device through the California State Water Resource Control Board**

Notes:

- Units are constructed using a 10 GA. Stainless Steel inner and outer housing support for added structural integrity.
- Perforated Stainless Steel is configured with a 51% Open Area for excellent flow rates comparative to its size.
- CPS Stainless Steel housing and additional attached SS parts are welded.
- Custom sizes and configurations are available.
- Multiple units can be mounted vertically to increase capture capacity.
- CPS unit is capable of housing an absorbent media if ever required, with no retrofitting or modifications needed.
- CPS unit can also be elevated off the basin floor in "Sump" type basins.
- **MADE IN THE USA.**





Revel Environmental Manufacturing Inc.

960-B Detroit Avenue
Concord, California 94518
sales@remfilters.com
www.remfilters.com

Phone (888) 526 4736
Phone (925) 676 4736
Fax (925) 676 8676
Lic. No. 857410

Optional Vector Bypass Deflector

(For use when needed or required.)

The REM CPS (Crescent Pipe Screen) comes standard, with no overhead deflector. This leaves the backside and front side of the units accessible at all times. When needed, REM has an optional deflector plate that allows for easy access to the center and backside of the device.

When a deflector plate is needed, we have an optional Vector Control specific design that allows access to the backside of the units through a center opening on the plate itself. The opening has elevated walls to continuously act as a guard to prevent trash and debris from bypassing the unit.

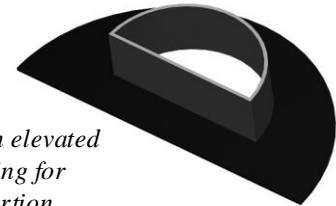
Simply insert the Vector application through the elevated center opening of the deflector plate.

This minimizes or eliminates the need for any technician adjustments of the device for the application of abatement control measures.

REM TRITON CPS – FTC Crescent Pipe Screen Deflector Lid (Vector Control Accessibility)

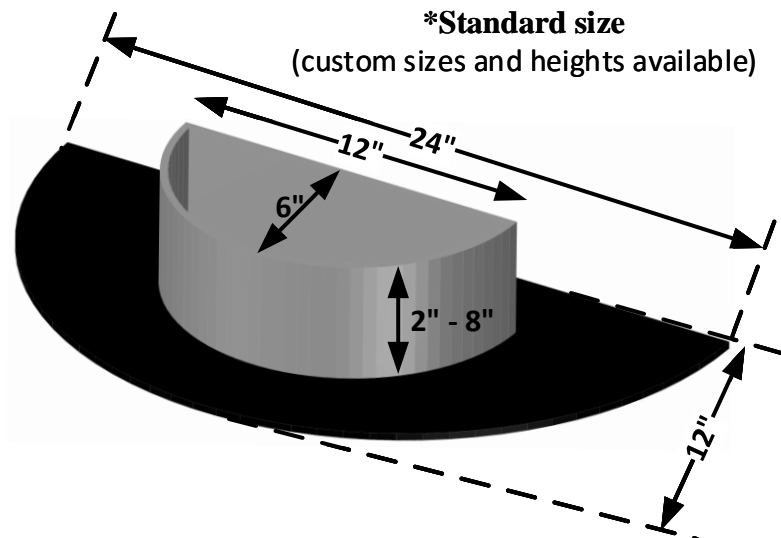


Standard REM CPS-PERF FTC device installation



Clear opening with elevated walls surrounding for abatement insertion.

Insert abatement application through opening



Notes:

- Deflector plates are constructed using .5" thick HDPE.
- Plates can also be constructed using Type 304 stainless steel with 4.8mm openings.
- Plates are attached to wall with stainless steel brackets at the required or most appropriate height.
- Elevated walls can be modified in height between 2" - 8" tall.
- Units come with floor level notches on the front and backside of the bottom cap to prevent standing water build up.

